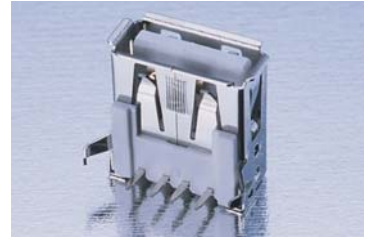
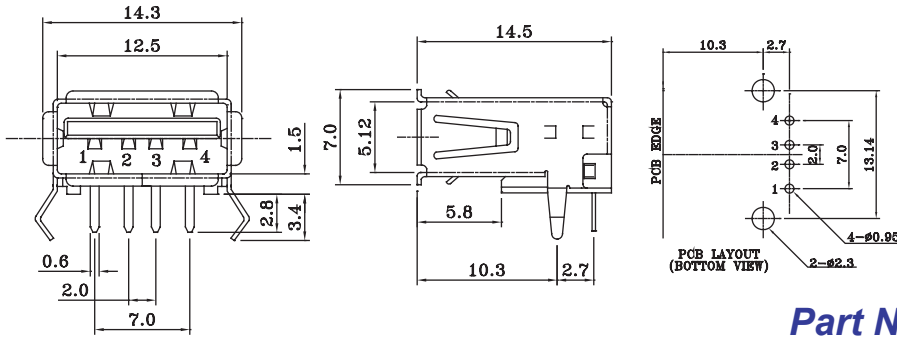


USB FEMALE DIP 90°A TYPE

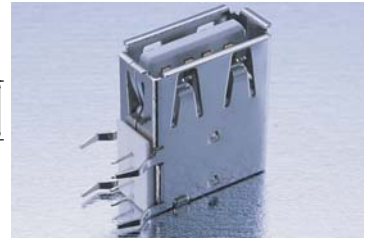
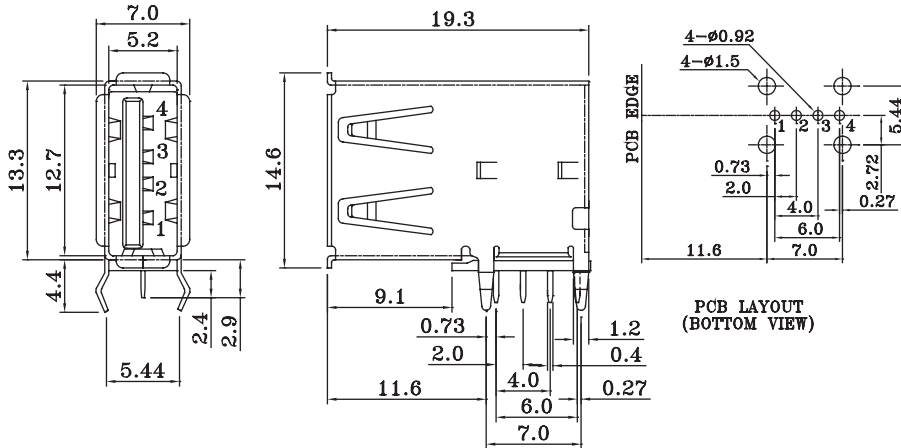


Part No.:USB-001-A□-L

B:Black W:White

NO.	NAME	MATERIAL	FINISH	REMARK	Q'TY
1	HOUSING	P.B.T. G.F.	WHITE/BLACK		1
2	PIN TERM.	COPPER ALLOY T:0.25	GOLD/TIN PLATED	Gold:1~3μ, Ni:40~60μ, TR:100μ (100% pure Tin of lead free plating)	4
3	SHELL	BRASS T:0.3	NICKEL PLATED	Ni:2~3u	1

USB FEMALE DIP UPRIGHT A TYPE

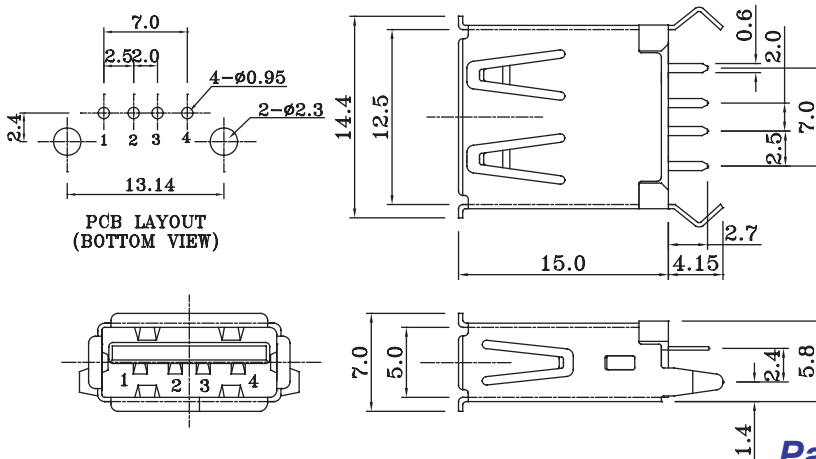


Part No.:USB-001V-A□-L

B:Black W:White

NO.	NAME	MATERIAL	FINISH	REMARK	Q'TY
1	HOUSING	P.B.T. G.F.	WHITE/BLACK		1
2	PIN TERM.	COPPER ALLOY T:0.25	GOLD/TIN PLATED	Ni:1~1.5u,TIN:3u, GOLD:1~3μ	4
3	SHELL	BRASS T:0.3	NICKEL PLATED	Ni:2~3u	1
4	SHELL	SPCC T:0.3	NICKEL PLATED	Ni:2~3u	1
5	BOTTOM COVER	P.B.T. G.F.	WHITE		1

USB FEMALE DIP 180°A TYPE



Part No.:USB-001K-A□-L

B:Black W:White

NO.	NAME	MATERIAL	FINISH	REMARK	Q'TY
1	HOUSING	P.B.T. G.F.	WHITE/BLACK		1
2	PIN TERM.	COPPER ALLOY T:0.25	GOLD/TIN PLATED	Ni:1~1.5u,TIN:3u, GOLD:1~3μ	4
3	SHELL	BRASS T:0.3	TIN PLATED	TIN:3~5u	1
4	BOTTOM COVER	P.B.T. G.F.	WHITE		1